

**E-HAMMER-HEAD-II PTZ Camera with IR Illuminator**



**E-AP803 30 x Zoom Day/Night Camera**



**E-M8DVR Compact DVR with 30GB HDD & Motion Detection**



**E-C450 SERIES Covert Snake Camera for Longer Range Pinhole Surveillance**

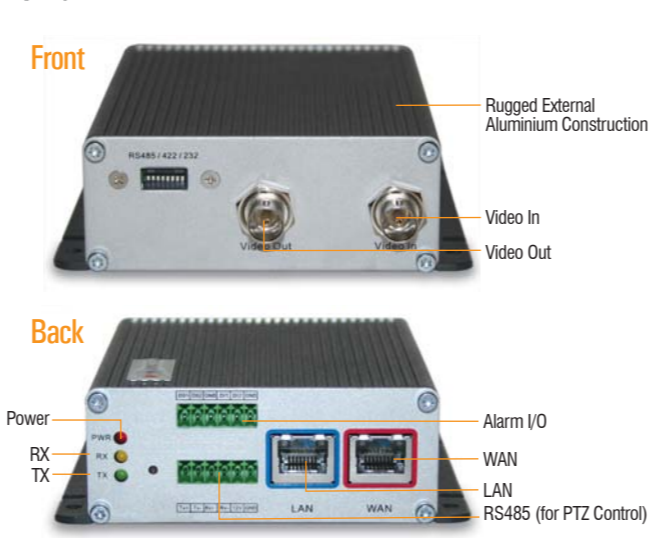


- FEATURES**
- 12mm pinhole (F2.0) lens
  - 1/4" Sony CCD sensor
  - 350 TVL resolution
  - 17° viewing angle
  - Size of 12 x 12 x 31 (head); 30 x 30 x 7 (board)mm

**E-HOV32K2A100 Side Opening Aluminium Housing with Wiper**



**E-IP-SED-2120 1Ch MPEG4 D1 (25fps) IP Video Server**



**IP Video Management & Storage Software**



Live Viewer

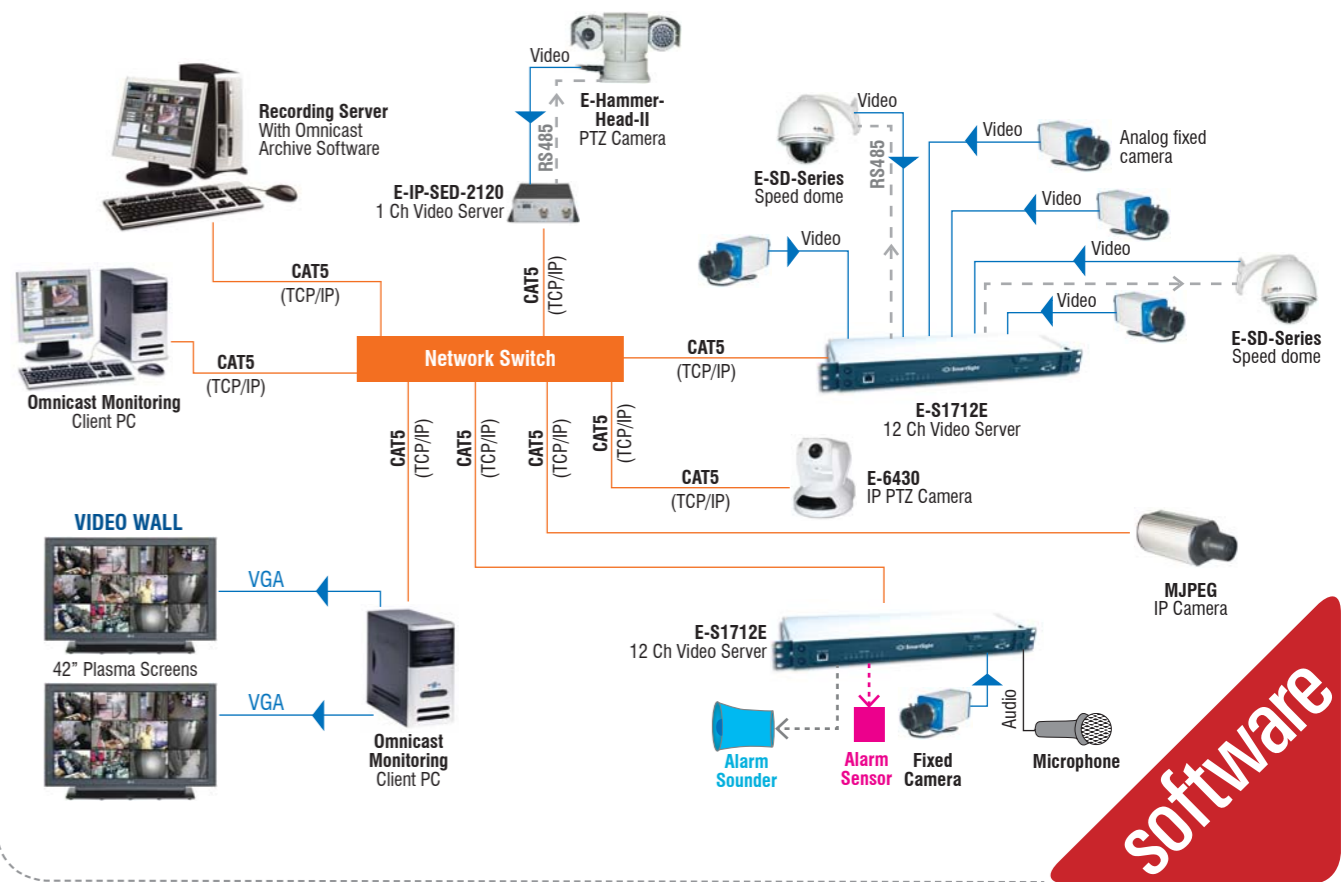
**FEATURES**

- Unlimited analog or digital IP cameras supported
- Support for MPEG4 video servers
- Support for MPEG4 & MJPEG IP cameras
- Software PTZ & speed dome camera control
- Videowall integration
- Alarm, motion, schedule, manual & event controlled recording
- Alarm triggering, management & logging
- Notification on events
- Full integration support for license plate recognition
- Monitor, playback & full management over WAN/LAN/internet
- Local, network or dual local/network recording
- Smart motion, time/date, LPR & bookmark search
- Video exportable to proprietary format or standard AVI
- Scheduled backups
- End-to-end SSL-based authentication and data encryption
- 248-bit RSA digital video signature for recorded footage
- SDK available
- Internet explorer web-client support

Omnicast 4.0 is the ideal solution for organizations requiring a unified management of security video, audio and data via IP networks. With the introduction of innovations such as the virtual matrix, fully fault-tolerant software and city wide surveillance support, Omnicast 4.0 has proven to be the solution of choice for enterprise-class level installations

\* Call us for a list of supported hardware

**Distributed IP Video Diagram**



test equipment & tools /

**E-R337 Advanced CCTV Test Monitor**



- FEATURES**
- Colour LCD video monitor
  - Video input: PAL or NTSC, 1Vp-p 75 Ohm (BNC)
  - AC or DC multi-meter
  - 12 VDC @ 1A ext power
  - 6 x AA NiMH battery power
  - Approx 4 hours battery life
  - Power fuse protection
  - 88 (w) x 190 (l) x 58 (t) mm
  - Integrated pattern generator
  - RS485 multi-protocol PTZ controller

**E-FM1 Handheld Camera Focus Indicator**



- FEATURES**
- 1V p-p (75 ohm) video or high impedance (BNC female) input
  - LED bar graph display
  - 9VDC (PP3)
  - Alkaline battery
  - Size of 118 x 60 x 29 mm

**E-VLM Handheld Video Level Meter**



- FEATURES**
- Video level range 0.00 ~ 2.99Vp-p
  - Input range: sync: 100mV - 750mV video; 100mV - 2.5V
  - Numerical LCD display
  - 9VDC alkaline battery (PP3)
  - Dimensions: 118 x 60 x 29mm

**E-VIDEO STICK Video Signal Test Probe**



- FEATURES**
- Connector: BNC female
  - Power source: 2 x AA batteries
  - Sensitivity: < 300 mV
  - Input impedance: 75 ohm
  - Dimensions (mm): 180 (L) x 20 (Diam)
  - Red or green LED video indicator

**E-C3214 Co-Ax Tool Kit**



The E-C3214 is an essential kit for all CCTV installers/technicians. It includes all that is needed for preparing, cutting and crimping coax video cables.

- FEATURES**
- Includes: coax crimping tool, coax stripper & cable cutter
  - Compatible cable: RG59 / RG58 / RG62 / RG6 / RG59 Power-Ax
  - Dimensions (mm): 260 (L) x 200 (W) x 48 (H) mm

**E-LSM-713 6.8" Test Monitor with Carry Case**



The E-LSM-713 is the ideal test monitor for technicians, CCTV installers and for covert monitoring.

- FEATURES**
- Housed in zip-up carry case
  - Adjustable brightness, contrast and volume control
  - Video input: PAL/NTSC & looping video output
  - Rechargeable battery-pack with battery charger

**E-LX536 Advanced Hand-Held Light (Lux) Meter**



- FEATURES**
- LED display
  - Silicon photo diode sensor
  - 0.01 lux resolution
  - Time date clock
  - Memory backup via battery
  - 9 VDC battery operation
  - 50 hours battery lifetime
  - Size: 146 x 70 x 39 (main instrument); 100 x 60 x 27 (sensor probe) mm

**E-TONETEST Cable Tracer Probe Kit**



A test kit for locating and identifying cable pairs or individual conductors. It can also be used as a continuity or polarity tester.

Set includes a tone generator and a hand held probe.

- FEATURES**
- Adjustable volume & speaker (probe)
  - Crocodile-clips (generator)
  - Power: 9 VDC battery
  - Protective pouch

e-dvr-804hb / 8 channel hi-res real-time embedded video & audio recorder

**8Ch Hi-Res Real-Time Embedded Video & Audio Recorder**

Our NEW 8 channel DVR is the ultimate in embedded stand-alone recorders. It is based on an embedded x86 CPU and Linux RT OS. The unit has 8 real-time hi-resolution video channels recording channels and 8 real-time audio channels. Audio and video are synchronised making the unit suitable for demanding surveillance applications in casinos, interview rooms or for law enforcement applications.

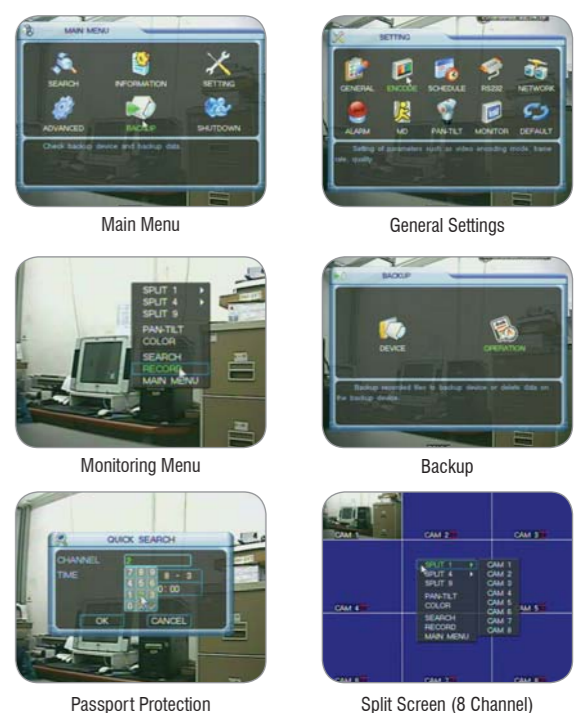
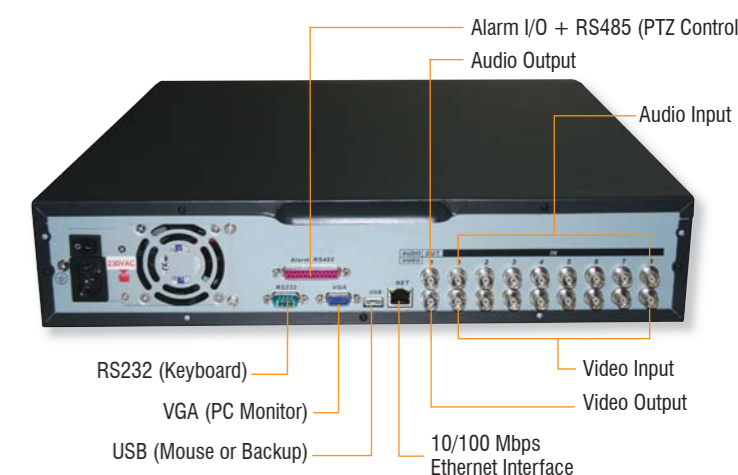


**SPECIFICATIONS**

|                        |   |
|------------------------|---|
| Video Channels         | 8 x composite video inputs, 75 Ohm 1 Vp-p (BNC) |
| Video Standard         | NTSC or PAL                                     |
| Video Monitoring Speed | 25 fps per channel                              |
| Video Recording Speed  | 25 fps per channel (adj. btw 1-25 fps)          |
| Video Recording Format | 704 x 576, 704 x 288 or 352 x 288               |
| Video Compression      | MPEG-4 / H.264                                  |
| Image Quality          | 6 levels  |
| Monitor Outputs        | 1 x video output (BNC) or 1 x PC monitor (VGA)  |
| Audio Channels         | 16 x audio in (BNC)                             |
| Audio Compression      | PCM   |
| OS                     | embedded Linux RT OS                            |
| Alarm Inputs           | 8 x alarms (+5 to +15 VDC)                      |
| Alarm Outputs          | 8 x relays (30 VDC 1A)                          |
| HDD Storage            | 8 x 3.5" HDD (4 x IDE ports) (up to 500GB each) |
| Network                | 10/100 Mbps ethernet (RJ45)                     |
| Power                  | 115 ~ 230 VAC (40 W)                            |
| Rack Mountable         | Yes (2U)  |
| Dimension (mm)         | 441 (W) x 460 (L) x 89 (H)                      |

**FEATURES**

- 8 Real-time 25 fps video & audio channels
- 460 TVL high resolution monitoring & recording
- Stand-alone embedded operation with Linux RT OS
- Quadplex (record/playback/monitor/network)
- Control via USB mouse, IR remote or joystick controller
- Responsive and stable operation
- Jog shuttle allows for VCR/DVD-type playback
- VGA monitor or composite video monitor
- USB for external DVD/HDD/ flash drive backup
- Motion detection, alarm or schedule reporting



Passport Protection Split Screen (8 Channel)

|   |  |  |  |   |  |  |  |
|---|--|--|--|---|--|--|--|
| <b>CS mount cameras</b><br><b>colour low light</b><br>CS mount<br><b>E-6311XP</b><br>1/3", colour, 0.4 lux, 12 VDC<br>380 TVL, DC/video iris<br><b>E-6311XP-H</b><br>480 TVL, DC/video iris<br><b>colour hi-res day/night</b><br>CS mount<br><b>E-340DN</b><br>1/3", ExView, 520 TVL, fixed day/night filter<br>0.01 lux B/W, 12 VDC, 60 (w) x 49 (h) x 106 (l) mm  |  | <b>motorised zoom lenses</b><br><b>6-36mm (F0.75)</b><br>zoom lens<br><b>E-R0607GA-CS</b><br>Low light, DC auto iris, 1/3" cameras<br>-P for presets<br><b>10-200mm (F2.5)</b><br>zoom lens<br><b>E-20Z1025G</b><br>DC auto iris, 1/3" or 1/2" cameras<br>-P for presets   |  | <b>day/night with 30x optical zoom lens control</b><br><b>E-AP800</b><br>1/4", 480 TVL, integrated adjustable zoom lens, mechanical day/night switch, 0.1 lux B/W mode<br><b>infra-red day/night waterproof camera</b><br><b>E-549</b><br>1/3" Infra-red 3-9mm lens, 480TVL, 10-15 mtr IR range, IP66, 12VDC, vandal proof glass<br><b>colour 15 mtr ir camera</b><br><b>E-542</b><br>1/3", 12 mm board lens, 240 TVL, 1.6 lux, 8 x 8 x 15 mm   |  | <b>cover covert cameras</b><br><b>micro camera</b><br><b>E-S408</b><br>1/4" B/W CMOS, 3.5 mm pinhole, 240 TVL, 1.6 lux, 8 x 8 x 15 mm<br><b>colour snake camera</b><br><b>E-C470-3C</b><br>1/4" colour CCD, 3.7 mm pinhole, 350 TVL, 1.2 lux, audio microphone<br><b>covert flat camera</b><br><b>E-476A</b><br>1/4", 3.1 mm pinhole, colour CCD, 350 TVL, 1.6 lux, audio microphone, 28 x 48 x 8 mm   |  |
| <b>numberplate peak-white inversion</b><br>CS mount<br><b>E-63V5H</b><br>1/3", 480 TVL, colour, DC iris, 0.8 lux, OSD, 12 VDC or 24 VAC, 50.5 (w) x 50.5 (h) x 115 (l) mm<br><b>harsh light &amp; high contrast</b><br>CS mount<br><b>E-ULTRA-4000</b><br>1/3", 520 TVL, DC or video iris, 0.8 lux, OSD, ultra wide dynamic, 12 VDC, 47 (w) x 43 (h) x 92 (l) mm<br><b>b/w std. res.</b><br>CS mount<br><b>E-301D</b><br>1/3" Samsung, video/DC iris, 380 TVL, 0.25 lux, 12 VDC, 62 (w) x 50 (h) x 108 (l) mm   |  | <b>weather &amp; waterproof cameras</b><br><b>bullet camera</b><br><b>E-687</b><br>1/4", colour, 1 lux<br><b>E-307</b><br>1/3", b/w, 0.25 lux<br><b>3.6 mm board lens</b><br><b>E-307R</b><br>1/3", 4 mm board lens, 380 TVL, 5 mtr IR range, IP66<br><b>b/w 5 mtr ir camera</b><br><b>E-537A</b><br>1/4", 3.6 mm board lens, 380 TVL, 3-5 mtr IR range, IP66<br><b>colour 5 mtr ir camera</b><br><b>E-539</b><br>1/4", 6 mm board lens, 420 TVL, 8 mtr IR range, IP66<br><b>colour 8 mtr ir camera</b><br><b>E-539</b><br>1/4", 6 mm board lens, 380 TVL, day/night with 5 mtr IR, 12 VDC<br><b>colour vandalproof camera</b><br><b>E-B53K10-N</b><br>1/3", 4.3 mm board lens, 380 TVL, day/night with 5 mtr IR, 12 VDC |  | <b>day/night bullet camera</b><br><b>E-21CHQX</b><br>1/3" Sony ExView, 3.7 mm cone pinhole, colour & b/w switching, 520 TVL, 0.01 lux, 21 (diam) x 65 (l) mm<br><b>colour hi-res mini pinhole camera</b><br><b>E-253CH-P37</b><br>1/3", 3.7 mm cone pinhole, 480 TVL, 0.8 lux, 25 x 25 x 21 mm<br><b>colour std. res. mini pinhole camera</b><br><b>E-811H</b><br>1/4", 3.7 mm cone pinhole, 420 TVL, 1 lux, audio microphone, 30 x 30 x 20 mm<br><b>colour hi-res. board pinhole camera</b><br><b>E-54C0P-H</b><br>1/4", 3.7 mm flat pinhole, 480 TVL, 2 lux, 12 VDC, 22 x 22 x 26 mm  |  |  |  |
| <b>CS mount lenses</b><br><b>fish eye 1.6-3.4mm (F1.4)</b><br>lens<br><b>E-1634</b><br>Vari-focal auto iris, 1/3" cameras, extreme wide angle lens for interview-room applications<br><b>3-8 mm (F1.0)</b><br>lens<br><b>E-13VG308AS</b><br>Vari-focal auto iris, 1/3" cameras<br><b>E-13VM308AS</b><br>Vari-focal manual iris, 1/3" cameras<br><b>2.8-12 mm (F1.4)</b><br>lens<br><b>E-13VG2812AS</b><br>Vari-focal auto iris, 1/3" cameras<br><b>E-13VM2812</b><br>Vari-focal manual iris, 1/3" cameras<br><b>10-40 mm (F1.4)</b><br>lens<br><b>E-13VG1040ASIR</b><br>Vari-focal auto iris, 1/3" cameras                        |  | <b>camera housings</b><br><b>aluminium part plastic housing</b><br><b>E-HEK26K0</b><br>IP66, outdoor, with sunshield, int. dims. 82(w) x 62(h) x 260(l)<br><b>day/night underwater camera</b><br><b>E-6020HPSC-DN</b> 480 TVL, 0.05lux, colour, 12VDC<br><b>E-506HPSC</b> 600TVL, 0.01lux, 12VDC, b/w<br><b>colour underwater with white leds camera</b><br><b>E-300LWW-6S</b><br>1/3", 3.6 mm board lens, 420 TVL, IP68, submersible, 12 VDC, 30 mm diam  |  | <b>Interchangeable heads pinhole camera</b><br><b>E-HEAD-CAM</b><br>1/4" Sony CCD sensor, 4.3 mm pinhole lens, 480 TVL, 0.8 lux, audio microphone, 5-9 VDC<br><b>colour hi-res. mini camera</b><br><b>E-253CH-B36</b><br>1/3", 3.6 mm board lens, 480 TVL, 0.8 lux, metal case, 12 VDC, 30 x 30 x 14 mm<br><b>colour hi-res. smoke detector camera</b><br><b>E-645A</b><br>1/3" 3.6 mm board lens, 470 TVL, 0.2 lux, audio microphone, 127 (diam) x 58 mm (dummy available)<br><b>pir camera</b><br>Passive infra-red sensor with built-in 3.7 mm pinhole camera audio microphone<br><b>E-826</b><br>1/4", Colour, 1 lux<br><b>E-802</b><br>1/3" b/w, 0.5 lux |  |  |  |
| <b>5.5-50 mm (F1.4)</b><br>lens<br><b>E-13VG550-SQ</b><br>Vari-focal auto iris, 1/3" cameras<br><b>E-13VM550</b><br>Vari-focal manual iris, 1/3" cameras<br><b>20-100 mm (F1.6)</b><br>lens<br><b>E-13VG20100AS</b><br>Vari-focal auto iris, 1/3" cameras<br><b>E-13VM20100AS</b><br>Vari-focal manual iris, 1/3" cameras   |  | <b>wireless video transmitters</b><br><b>5 km 2.4 Ghz video link</b> TX & RX 12 VDC<br><b>E-YA-2413</b> Yagi antenna<br><b>E-YA-2413</b> Yagi antenna<br><b>E-243000</b> 5km Video/audio transmitter<br><b>E-RX2410</b> Video/audio receiver AV output<br><b>150 m 2.4 Ghz video link</b><br><b>E-PATCH-13</b> 13 dBi patch<br><b>E-240100</b> Compact video/audio transmitter 4 selectable frequencies<br><b>E-RX2410</b> Video/audio receiver AV output  |  | <b>aluminium side opening housing</b><br><b>E-HOV32K2</b><br>IP66, outdoor, with sunshield & heater, plastic (optional), int.dims. 100(W) x 70(H)<br><b>plastic polymer short housing</b><br><b>E-HPV36K0A000</b><br>IP66, short version 'VERSO' plastic polymer with sunshield, int. dims. 63(w) x 63(h) x 210(l)  |  | <b>ptz cameras &amp; drivers</b><br><b>indoor speed dome ptz camera</b><br><b>E-SD18X</b><br>1/4" Sony CCD module, 480 TVL, 0.7 lux, 18 x optical zoom, multi-protocol support, alarm input/output, 24 VAC<br><b>outdoor day/night speed dome camera</b><br><b>E-SD23X</b><br>1/4" Hitachi CCD module, 480 TVL, 0.1 lux (colour) 0.01 lux (b/w), 23 x optical zoom, multi-protocol support, alarm input/output, 24 VAC<br><b>day/night with ir illuminator ptz camera</b><br><b>E-HAMMER-HEAD</b><br>1/4" Sony CCD camera module 480 TVL day/night, 0.01 lux (b/w), 0 Lux (IR on) 18x optical zoom, integrated IR illumination (30 m)  |  |
| <b>digital video recorders</b><br><b>4 ch real-time removable 3.5" HDD bay dvr</b><br><b>E-P2-MOBI</b><br>25 fps per ch, 1 audio channel, 320 horiz TVL, motion detection & alarm I/O, 10/100Mbps ethernet, 12-30 VDC operation, GPS option<br><b>compact 4 ch real-time 2.5" HDD bay dvr</b><br><b>E-P2-MICRO</b><br>Small size, 25 fps per ch, 320 horiz TVL, motion detection & alarm I/O, 2.5" HDD bay, 10/100Mbps ethernet, 5 VDC operation  |  | <b>infra-red illuminators</b><br><b>indoor 3 m range ir illuminator</b><br><b>E-IR-PLATE-940</b><br>Completely invisible, 3 m range, 170 degree angle, 12VDC @ 400 mA operation<br><b>outdoor 35 m range ir illuminator</b><br><b>E-IR84-30-880</b><br>Slightly visible, 35 m range, 30 degree angle, 12VDC @ 1000 mA operation, Incl. mounting bracket  |  | <b>compact plastic polymer housing</b><br><b>E-LXNWRCWB</b><br>IP66, plastic polymer housing & wall mounting bracket with sunshield<br><b>Aluminium housing &amp; bracket</b><br><b>E-H01</b><br>Outdoor part plastic extruded-aluminium housing<br><b>E-BR02</b><br>Outdoor wall mount bracket   |  | <b>vehicle mount ptz camera</b><br><b>E-PATROLCCCTV</b><br>18x optical zoom, day/night mobile vehicle PTZ camera with integrated PTZ driver, multi-protocols, IP68 stainless steel model available<br><b>medium duty pan/tilt ptz unit</b><br><b>E-PTH311</b><br>Side mounting pan/tilt unit, suitable for E-HOV or E-HEK housings, 24 VAC, -P - Model with presets<br><b>vandalproof ir dome</b><br><b>E-90CSHRX</b><br>1/3" ExView, 4-9 mm auto iris lens, 480 TVL, colour, day/night switching with 5 meter IR illumination, 10-15 VDC, 127 (diam.) x 105 (l) mm<br><b>colour vari focal dome</b><br><b>E-902</b><br>1/3", 3.5 - 8 mm auto iris vari-focal lens, 420 TVL, colour, 12 VDC, 110 (diam) x 83 (l) mm                |  |
| <b>micro digital video recorder dvr</b><br><b>E-MSDVR</b><br>15-18 fps, 220 TVL LCD, 1 x AV in, ±60 min recording, USB 2.0 Interface, SD slot up to 4GB, motion detection, 5VDC for E-HEADCAM.<br><b>1 channel hi-resolution real-time dvr</b><br><b>E-CLIP30MP</b><br>1 Ch (25 fps), 460 TVL, 30 GB HDD, 4-10 hours recording, 1 x AV in, 1 x AV out, USB docking station with PC playback, alarm trigger, touch screen control, 9-12 VDC<br><b>1 channel real-time dvr</b><br><b>E-M4DVR</b><br>1 Ch (25 fps), 240 TVL 3.5" LCD, 20 GB HDD, 30 hours recording, 1 x AV in, 1 x AV out, USB interface, 3 hour battery life       |  | <b>outdoor 45 m range ir illuminator</b><br><b>E-IR294-20-940</b><br>Completely invisible, 45 m range, 20 degree angle, 12 VDC @ 3500 mA operation, Incl. mounting bracket<br><b>outdoor 65 m range ir illuminator</b><br><b>E-IR294-20-880</b><br>Slightly visible, 65 m range, 20 degree angle, 12VDC @ 3500 mA operation, Incl. mounting bracket<br><b>indoor 80 m range ir illuminator</b><br><b>E-IR112-120-880</b><br>Slightly visible, 80 m range, 20 degree angle, 12 VDC @ 1.6 A operation  |  | <b>aluminium housing for large zoom lenses + wiper/washer</b><br><b>E-HEG</b><br>IP66, outdoor, with sunshield, heater, wiper unit & washer-pump<br><b>E-20Z1025G</b><br><b>E-VIP6A2</b><br><b>E-VIP25WAS02</b>   |  | <b>advanced ptz driver</b><br><b>E-DTRX3</b><br>Full PTZ control, with support for presets & wipers, Pelco D Protocol IP56 enclosure, 24 VAC or 220 VAC<br><b>2-axis compact joystick</b><br><b>E-KB01</b><br>2 Axis joystick, stand-alone compact PTZ joystick controller, for speed dome or PTZ controller, 12 VDC<br><b>3-axis advanced joystick</b><br><b>E-DCJ</b><br>Stand-alone 3-Axis PTZ joystick controller, built-in backlight alpha-numeric LCD display, 2 datalines, 12 VDC<br><b>mini dome</b><br><b>E-662</b> 1/4" Sony colour, 380 TVL, 1 lux, 12 VDC<br><b>E-302</b> 1/3" b/w 380 TVL, 0.5 lux, 12 VDC<br><b>hi-res mini dome</b><br><b>E-83KR111</b><br>1/3", 3.6 mm board lens, colour 470 TVL, 0.8 lux, 12 VDC |  |
| <b>8 channel real-time embedded</b><br><b>E-DVR-804HB</b><br>8 Real-time 25 fps video & audio channels, 460 TVL, embedded operation with Linux RT OS, mouse control, VGA or video monitor connection, full TCP/IP monitor & playback, MPEG-4<br><b>pc based e-ndvr series</b><br><b>E-NETDVR-1016</b> 16 channel video, 100 fps record, 2 x audio<br><b>E-NETDVR-3016</b> 16 channel video, 200 fps record, 4 x audio<br><b>E-NETDVR-3032</b> 32 channel video, 200 fps record, 4 x audio<br><b>E-NETDVR-7016</b> 16 channel video, 400 fps record, 4 x audio<br><b>E-NETDVR-7064</b> 64 channel video, 400 fps record, 4 x audio |  | <b>outdoor 100 m range ir illuminator</b><br><b>E-IR16-5-880</b><br>Slightly visible, 100 m range, 5 degree angle, 12 VDC @ 300 mA operation, Incl. mounting bracket<br><b>outdoor 300 m range ir illuminator</b><br><b>E-IR64</b><br>Slightly visible, 300 m range, 20 to 3 degree angle, 12 VDC @ 3500 mA operation, motorised adjustment, incl. mounting bracket<br><b>long range wide angle infra-red ir illuminator</b><br><b>E-IR576</b><br>Slightly visible, 250 - 350 m range, 18 degree angle, 12VDC @ 7.5 A or 24VDC @ 3.8 A, IP66   |  | <b>brackets for housings</b><br><b>E-WBOV</b><br>High quality wall mount bracket for E-HEK, E-HPV Verso & E-HOV housings, internal cable channel<br><b>E-WBJ</b><br>Mounting bracket for E-HPV, E-HEG & E-HOV housing   |  | <b>fibre optics</b><br><b>1 channel video to fibre optic transmitter</b><br><b>E-LL801-AB</b><br>Standalone, 1 fibre, 850nm multi-mode 50/125 ST connector, 3.5 km, 12 VDC<br><b>1 channel video to fibre optic receiver</b><br><b>E-LL802-ABA</b><br>Standalone, 1 fibre, 850nm multi-mode 50/125 ST connector, 3.5 km, 220 VAC   |  |
| <b>crt &amp; lcd monitors</b><br><b>8" colour video lcd</b><br><b>E-LM-800</b><br>460 TVL, video & audio inputs, built-in TV tuner & audio speakers, 12 VDC<br><b>colour crt</b><br><b>E-MM-21DXA 21"</b> , <500 TVL<br><b>E-MM-15DXA 15"</b> , >650 TVL<br><b>E-MM-17DXA 17"</b> , >800 TVL  |  | <b>colour video &amp; vga lcd</b><br><b>E-19W01</b> 19", 460 TVL, 12 VDC<br><b>E-17W01</b> 17", 500 TVL<br><b>E-15W01</b> 15", 500 TVL<br><b>7" colour video lcd</b><br><b>E-LM-707</b><br>460 TVL, 1440 x 234, 2 x video & 2 x stereo audio in, integrated audio speakers, IR remote, 11-16 VDC<br><b>-WB</b> recessed wall mount bracket<br><b>5" colour video lcd</b><br><b>E-LM-500</b><br>460 TVL, 960 x 234, video & audio in, integrated audio speakers, 12 VDC   |  | <b>colour lcd test monitors with carrycase</b><br><b>E-LSM-413</b><br>4", 480 x 234, PAL/video<br><b>E-LSM-713</b><br>6.8", 1125 x 234, PAL/video<br><b>10.2" colour video &amp; vga lcd</b><br><b>E-LM102</b><br>460 TVL, 1024 x 768, VGA, video & audio inputs, 12 VDC<br><b>-T</b> optional USB touch screen   |  | <b>twisted pair video converters</b><br><b>single channel economical</b><br><b>E-TPT-BNC</b> up to 500-1000 mtr<br><b>E-TPR-BNC</b><br><b>4 channels over single CAT5</b><br><b>E-TPT-414</b> 1000 mtr<br><b>E-TPAR-414</b>  |  |
| <b>32 channel video matrix switcher</b><br><b>E-SM328A</b><br>19" rack mount matrix switcher, 32 video inputs, 8 video outputs 12 VDC, cascable<br><b>4 channel colour quad processor</b><br><b>E-705</b><br>4 video in, time/date generator & VCR zoom, 2 video outputs 12 VDC   |  |  |  |   |  |  |  |