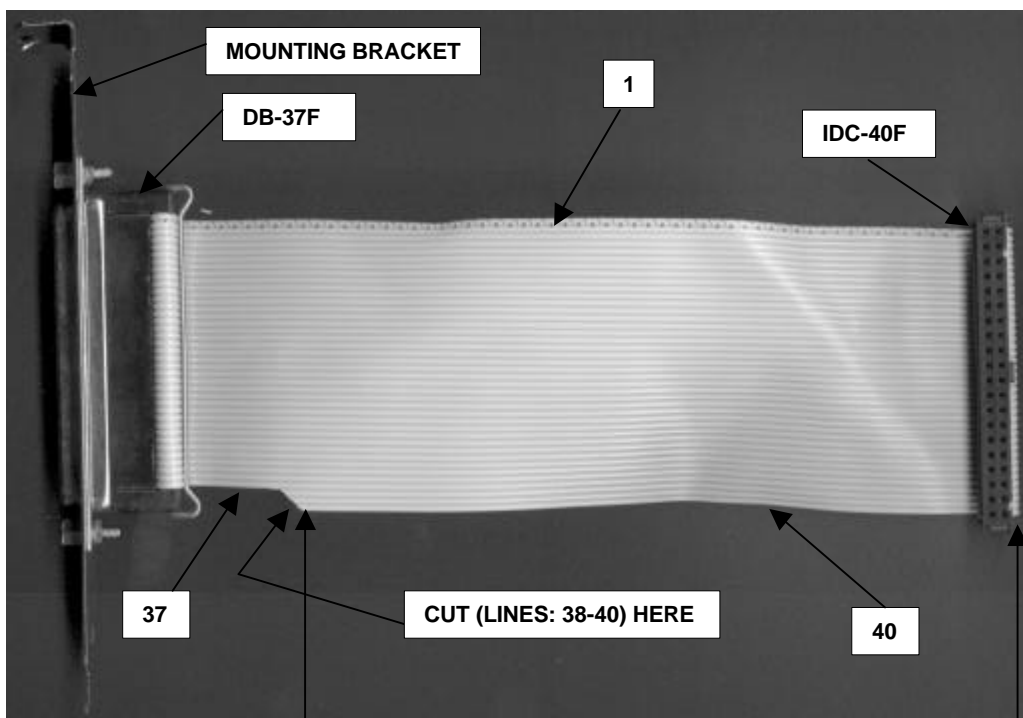
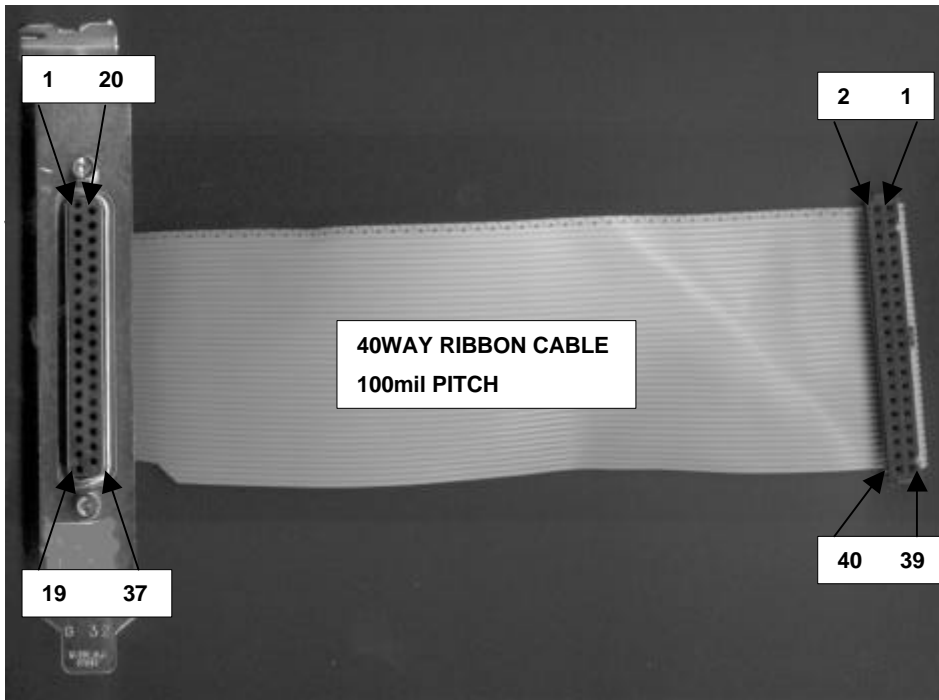


IDC40F to DB-37F Aux. Cable Type:(3)

For: PCI CARDS



40.0mm

EXACT "FINISHED" LENGTH AS INDICATED:

190.0mm (PCI-62C Opto's 32-47)

225.0mm (PCI-62C Opto's 16-31)

This section provides the exact finished lengths for the cable assembly. A dimension line indicates a 40.0mm length from the left edge of the mounting bracket to the start of the cut line. Two options are listed: 190.0mm for PCI-62C Opto's 32-47 and 225.0mm for PCI-62C Opto's 16-31.