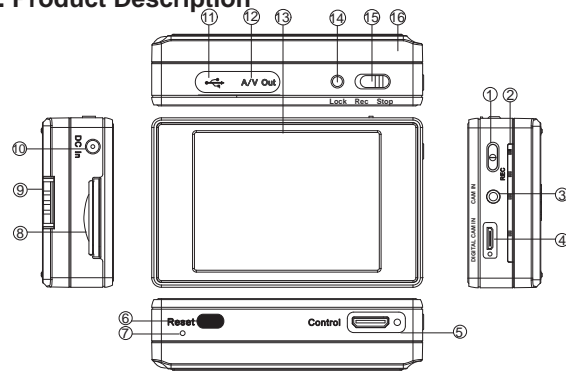
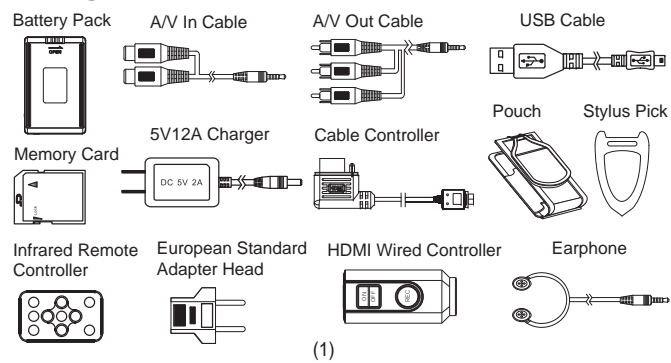


1. Product Description

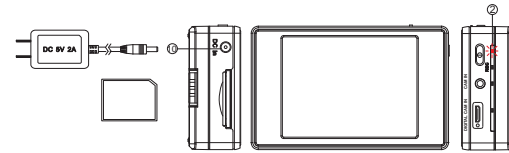


- 1. Power Button
- 2. Status Bar
- 3. Analog Cam In
- 4. Digital Cam In
- 5. Controller Port
- 6. Infrared Sensor
- 7. Reset Button
- 8. Memory Card Slot
- 9. Battery Lock
- 10. DC In Jack
- 11. USB Port
- 12. A/V Out Port
- 13. 3 Inch LCD Display
- 14. Screen Lock Button
- 15. Record/Stop Button
- 16. Battery Pack

2. Package Content

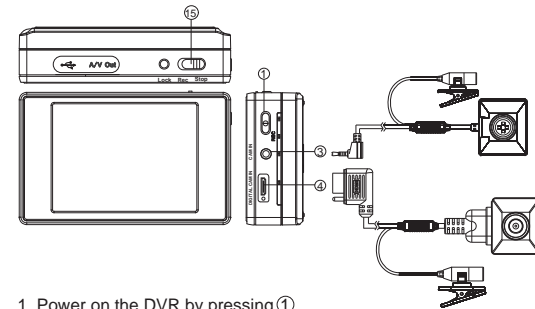


3. Charging the Battery



1. Connect the charger plug to DC In Jack (10).
2. Plug power cord of the charger to an AC wall outlet. Charging starts automatically.
3. The LED bar (2) will illuminate red to show the device is in charging mode. Charging time required is 3 to 4 hours.
4. After charging is completed, red light turns off automatically.

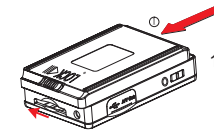
4. Connecting a Camera to the DVR



1. Power on the DVR by pressing (1).
2. To connect an analogue camera, plug the analogue camera jack into CAM IN port (3) on the device.
3. To connect a digital camera, plug digital camera jack into DIGITAL CAM IN port (4) on the device.
4. Various recording modes are optional on settings menu page.

5. Installing and Removing the Battery

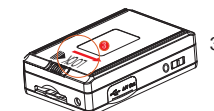
NOTE: The E-M5DVR-3 has a removable battery. You can purchase extra batteries depending on your application. Following the instructions indicated below to remove/replace battery.



1. To remove the battery, gently push LOCK switch to right side and push battery in the direction of the red arrow.

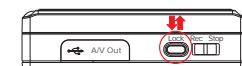


2. To install the battery, attach the battery to the DVR and gently push the battery in the direction of the red arrow.



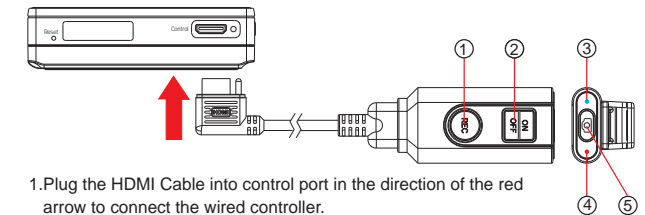
3. Slide the LOCK switch in direction of the red arrow to lock the battery onto device.

6. Activating the Screen Lock



1. Press the Lock button once. A lock icon appears on the screen. This indicates the screen lock is activated to avoid accidental DVR operation.
2. Press the Lock button again. The lock icon disappears from the screen. This indicates that the screen lock is de-activated.

7. Wired Controller



1. Plug the HDMI Cable into control port in the direction of the red arrow to connect the wired controller.

2. Long press ON/OFF button (2). Blue LED (3) on the controller automatically lights up to indicate that control device is powered on.

NOTE: The E-M5DVR-3 automatically defaults to Pre-event status when using the wired controller to power up the device.

3. To start recording, long press REC button (1). Red LED signal (4) on the controller illuminates to show the DVR is recording.

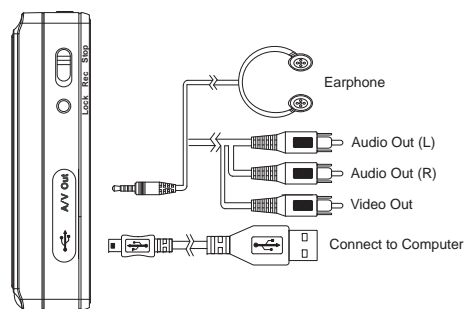
NOTE: If the E-M5DVR-3 is in the pre-event mode, the device records video for 30 seconds before video recording is activated.

4. To take a snap-shot during recording, press (5) button (5) on the side of the controller. The image file is automatically saved on the memory card.

5. To end recording, press REC button (1) again. To turn off the controller, press ON/OFF button (2) again.

NOTE: To activate recording, push the REC/STOP switch to the REC position first. Main device and controller automatically accesses recording status after main device or controller is turned on.

8. Connecting a PC or Monitor



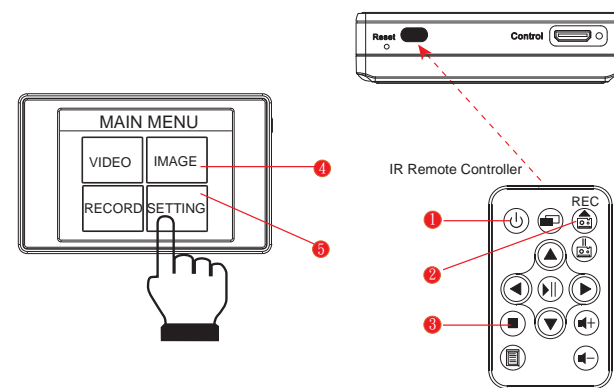
1. Flip up USB port cover. You will see one USB 2.0 port and one A/V Out port.
2. Insert the USB Cable into the USB port to connect a computer to the device.
3. Insert A/V Out Cable into the A/V out port to connect a monitor to the device.

NOTE: You can also insert earphones into AV-Out port for listening to recordings.

9. Retrieving Video Footage

1. Video files are stored on the memory card.
2. There are two methods to retrieve video files.
 - (1) Using a USB Cable to connect to a computer.
 - (2) Using a card reader to retrieve files from the memory card.
3. The computer detects the storage and user may browse and operate the storage as a typical folder directory. i.e. Rename, copy and paste, delete, duplicate, etc.

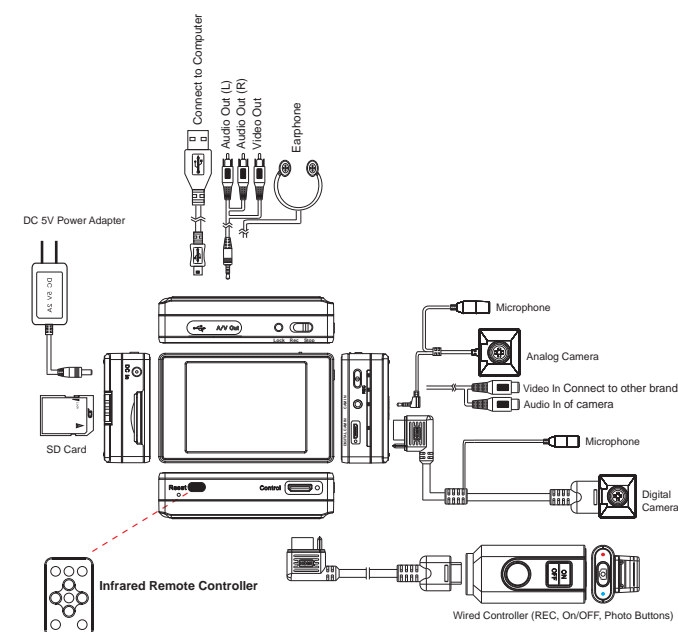
10. Configuration



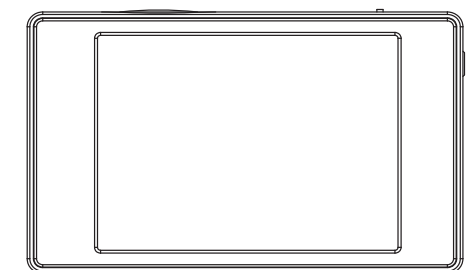
1. Connect a video camera to the DVR and insert the memory card.
2. Turn on the DVR before using the IR remote controller.
3. Aim the IR Remote Controller at the sensor area to control the device remotely.
4. Press Rec (2) on the IR remote to start recording and press (3) to stop.
5. Press (3) again to return to Main Menu page.
6. Entering Recorder Setting (4) to turn on Motion Detect.
7. Entering Program Setting (5) to edit setting.
8. To turn off DVR, press the Power button (1).
9. Operating the touch screen interface to edit settings.

Note that the power button on the IR remote controller only serves to turn off the DVR. It is not possible to power up the DVR using the IR remote controller.

11. E-M5DVR-3 Connection Drawing



E-M5DVR-3 Body-Worn SD Card Cover Recorder Quick Guide



EAGLE TECHNOLOGY - SOUTH AFRICA